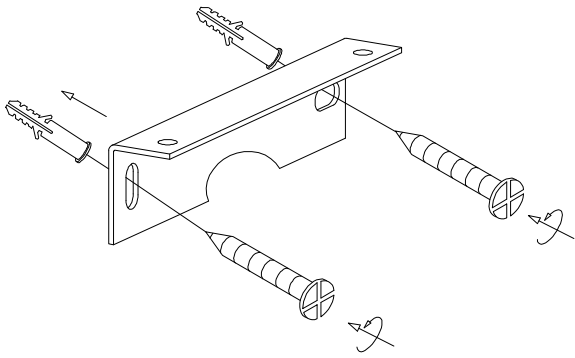
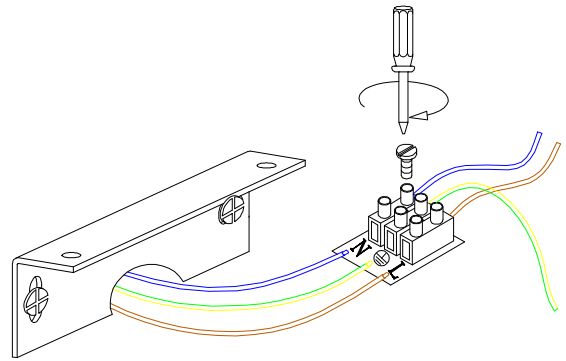


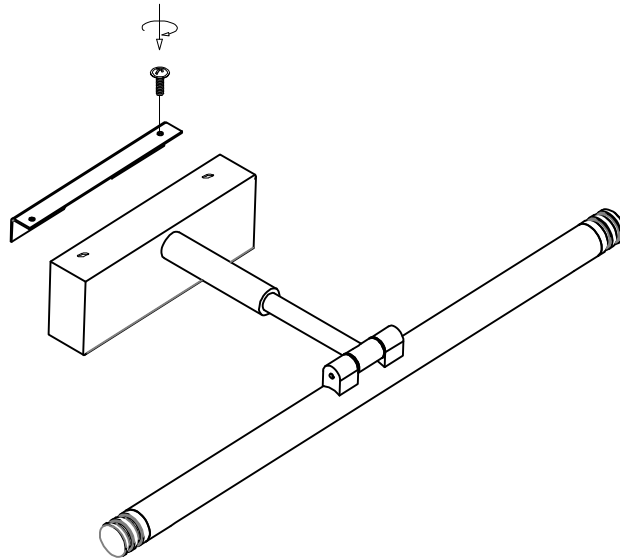
# Installation Diagram



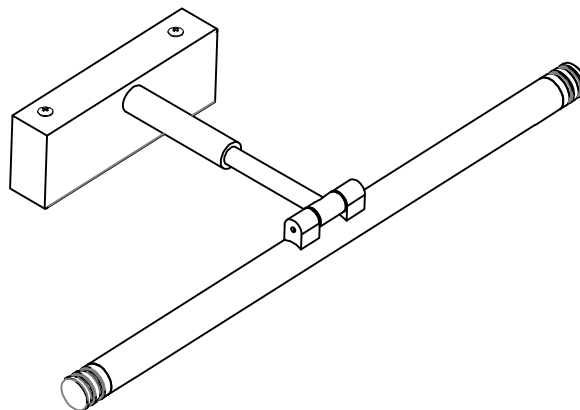
A



B



C



D